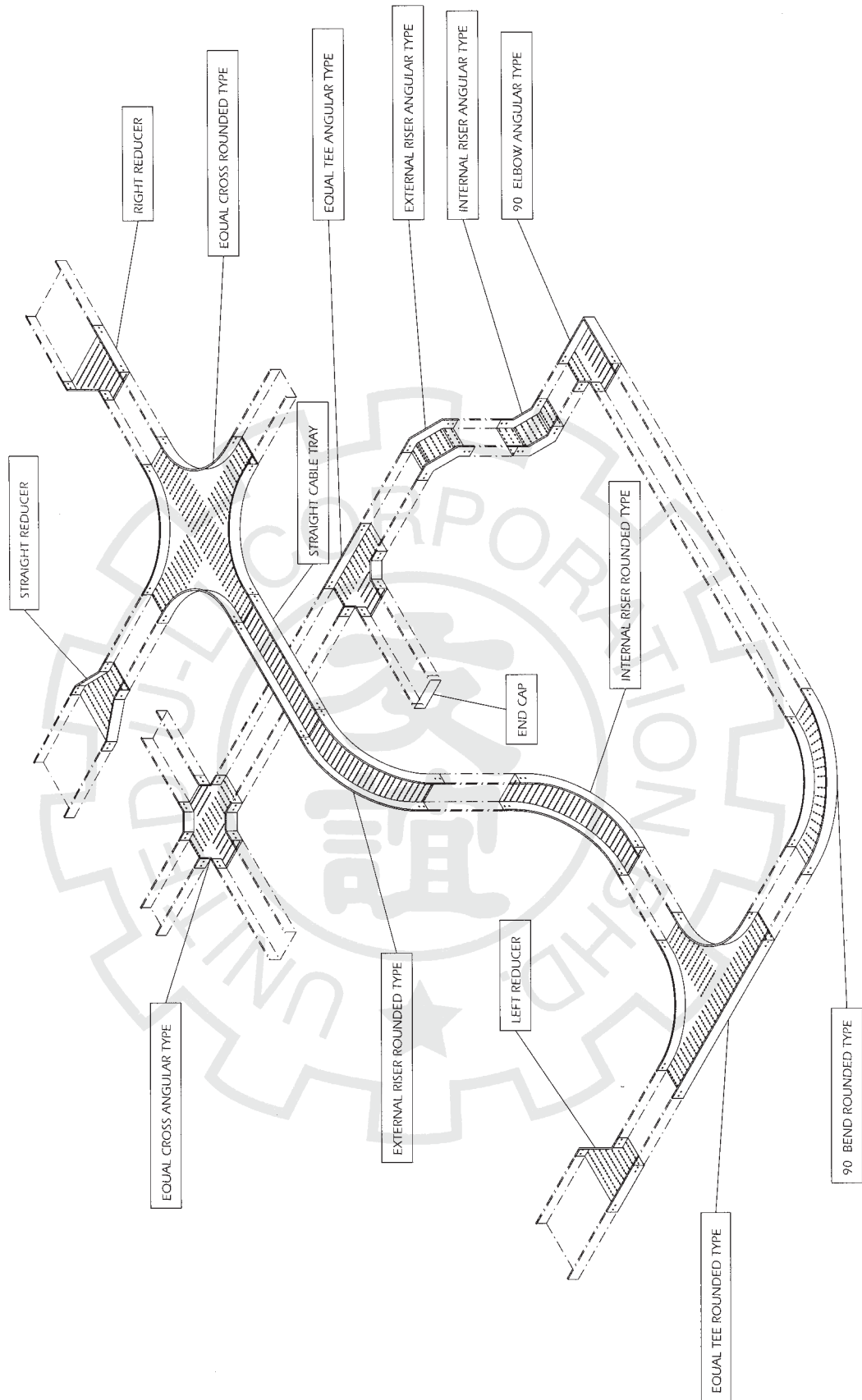


U-LI™ Steel Cable Tray Typical Layout



Steel Perforated Cable Tray

U-LI™ Steel Cable Tray Product Range

U-LI™ design of Cable Ladder is compact and fast to install, with both straight Cable Tray and all accessories having a unique integrated coupling system.

U-LI™ offers a wide range of options to suit your design and with load rated to NEMA VE1. We also manufacture Cable Tray to your design.

U-LI™ offers multi side wall profile for your design needs and applications. It has the advantage of quick on site installation, cut to length and reconnection.

U-LI™ offers a wide range of materials to suit the site condition and also choices of final finishes.

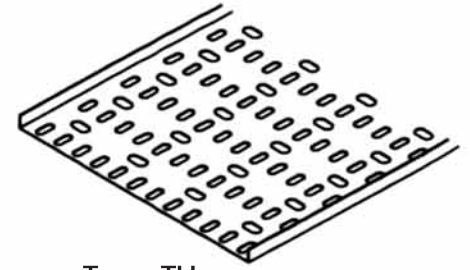
Materials:

1. Hot roll mild steel. JISG 3131 SPHC, JISG 3101 SS400
2. Cold roll mild steel. JISG 3141 SPCC
3. Pre-Galvanised steel. BS 2989
4. Electro-Galvanised. BS 1449 Pt 1:1983
5. Stainless steel. AISI 304, 316 or 316L
6. Aluminium.

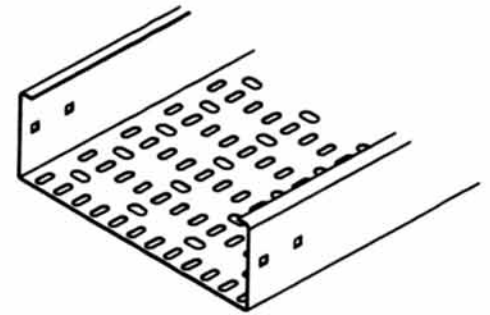
Finishing:

1. Hot dip galvanised.
ASTM A123, BS EN ISO 1461:1999
2. Epoxy coated - ASTM D 1654, BS 6920
3. Polyester coated - ASTM D 1654, BS 6920

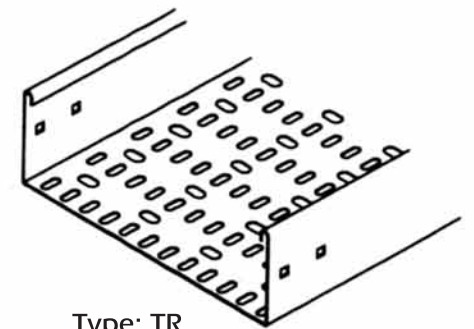
Perforated Tray Series



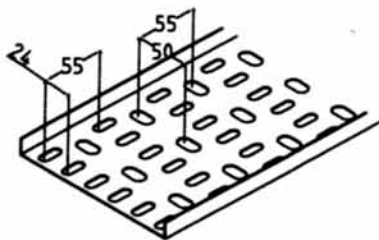
Type: TU



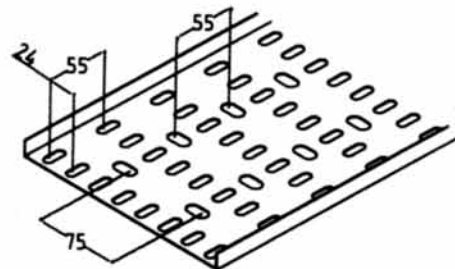
Type: TC



Type: TR



a) For 50mm, 100 mm and 150 mm Width.

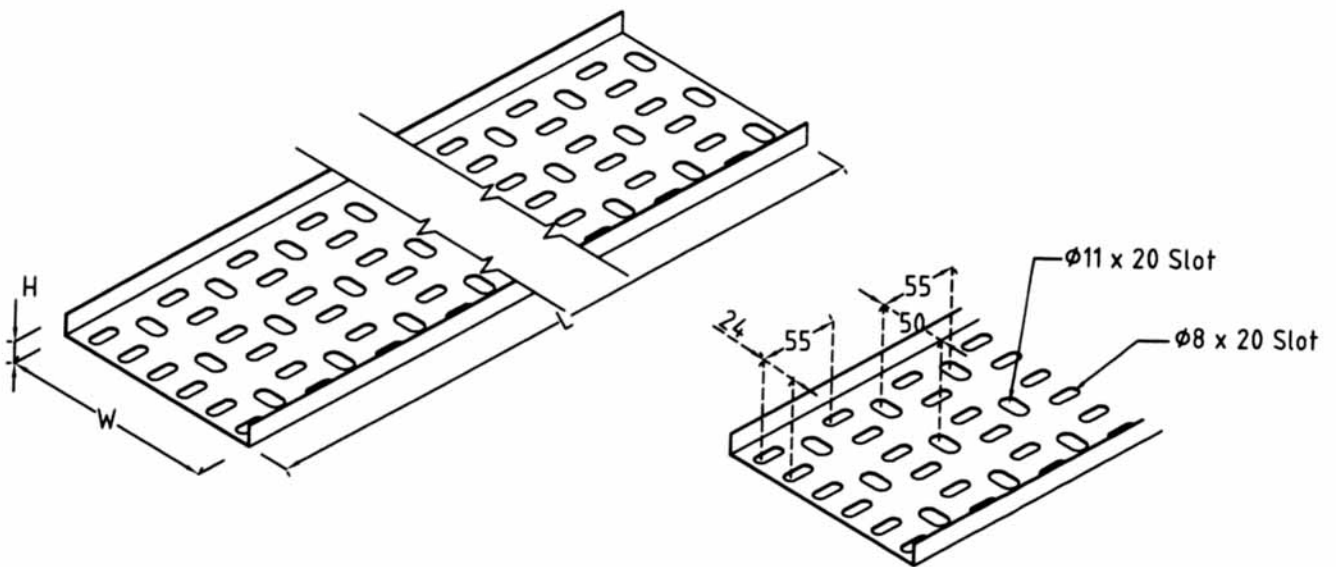


b) For other Width

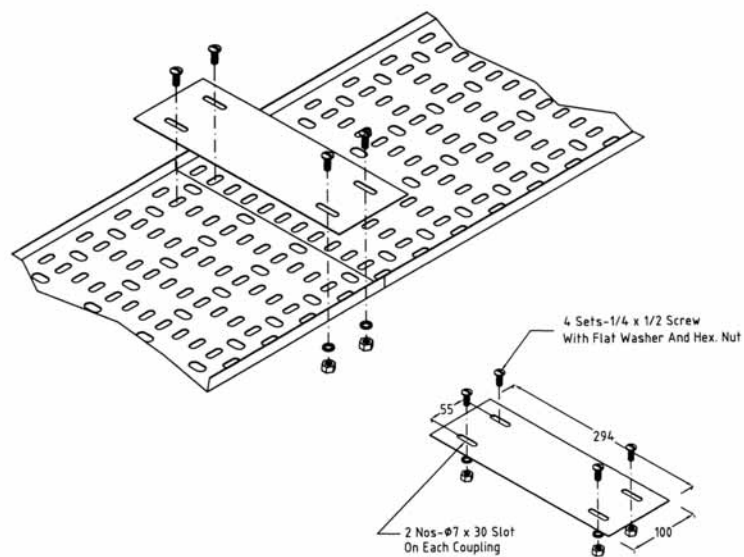
Standard Slots Configuration. Total removal of material approximately 18%. We also manufacture to other slot configurations as per customer's request. Dimension in millimeter.

Steel Perforated Cable Tray

Steel Perforated Cable Tray - Straight
Type: UM/TU/ST



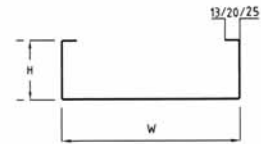
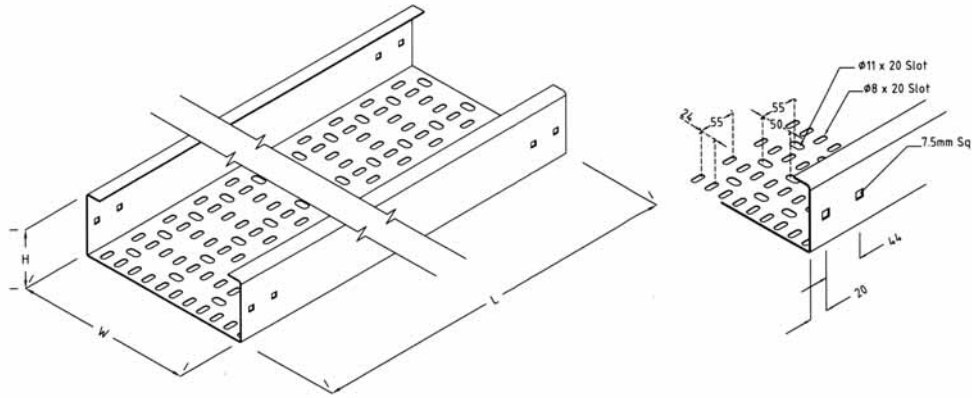
Steel Perforated Cable Tray - Joint Coupling
Type: UM/TU/JC



Dimension in Millimetre.

Steel Perforated Cable Tray

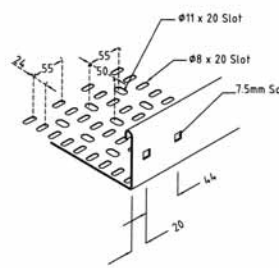
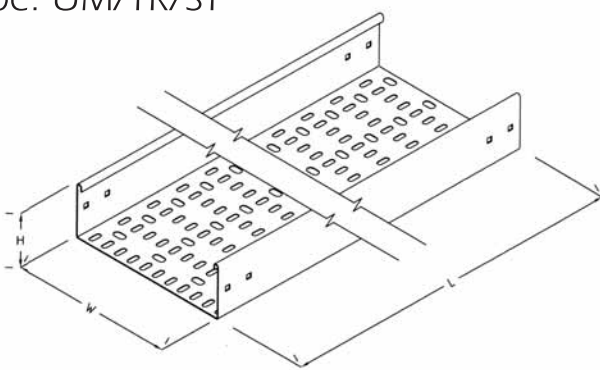
Steel Perforated Cable Tray - Straight
Type: UM/TC/ST



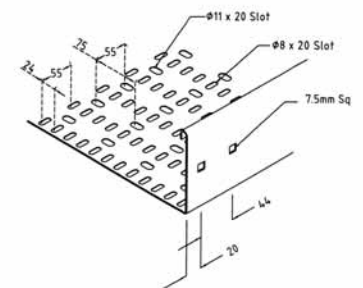
TRAY SECTION

TYPE: UL/TT/ST

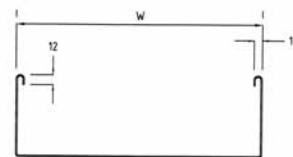
Steel Perforated Cable Tray - Straight
Type: UM/TR/ST



CONNECTION SLOT DETAIL A.



CONNECTION SLOT DETAIL B.



TRAY SECTION

Dimension in Millimetre.

Steel Perforated Cable Tray

Steel Perforated Cable Tray - Straight UM/TU/ST

Component Ref	W	H	L	Finishing
UM/TU/ST-2	13	50	2440 or 3000	Hot Dip Galvanised Epoxy or Coated
UM/TU/ST-4	13	100		
UM/TU/ST-6	13	150		
UM/TU/ST-8	17	200		
UM/TU/ST-12	17	300		
UM/TU/ST-14	20	350		
UM/TU/ST-18	20	450		

Component Ref	W	H	L	Finishing
UM/TU/ST-20	25	500	2440 or 3000	Hot Dip Galvanised Epoxy or Coated
UM/TU/ST-24	25	600		
UM/TU/ST-28	25	700		
UM/TU/ST-32	25	800		
UM/TU/ST-36	25	900		
UM/TU/ST-40	25	1000		

UM/TC/TR/ST

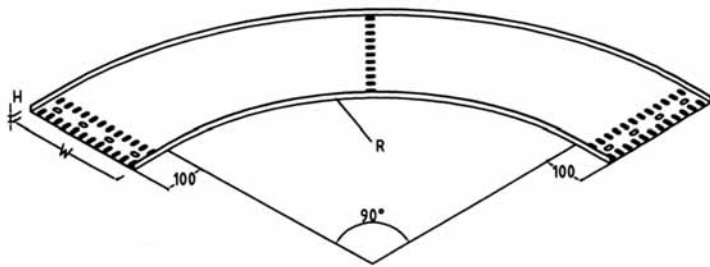
Component Ref	W	H	L	Finishing
UM/TC,TR/ST/2-2	50	50	2440	Hot Dipped Galvanizing or Epoxy Coated
UM/TC,TR/ST/4-2	100	50		
UM/TC,TR/ST/6-2	150	50		
UM/TC,TR/ST/8-2	200	50		
UM/TC,TR/ST/10-2	250	50		
UM/TC,TR/ST/12-2	300	50		
UM/TC,TR/ST/14-2	350	50		
UM/TC,TR/ST/16-2	400	50		
UM/TC,TR/ST/18-2	450	50		
UM/TC,TR/ST/20-2	500	50		
UM/TC,TR/ST/22-2	550	50		
UM/TC,TR/ST/24-2	600	50		
UM/TC,TR/ST/28-2	700	50		
UM/TC,TR/ST/30-2	750	50		
UM/TC,TR/ST/34-2	850	50		
UM/TC,TR/ST/36-2	900	50		
UM/TC,TR/ST/40-2	1000	50		
UM/TC,TR/ST/3-3	75	75		
UM/TC,TR/ST/4-3	100	75		
UM/TC,TR/ST/6-3	150	75		
UM/TC,TR/ST/8-3	200	75		
UM/TC,TR/ST/10-3	250	75		
UM/TC,TR/ST/12-3	300	75		
UM/TC,TR/ST/14-3	350	75		

Component Ref	W	H	L	Finishing
UM/TC,TR/ST/16-3	400	75	2440	Hot Dipped Galvanizing or Epoxy Coated
UM/TC,TR/ST/18-3	450	75		
UM/TC,TR/ST/20-3	500	75		
UM/TC,TR/ST/24-3	600	75		
UM/TC,TR/ST/28-3	700	75		
UM/TC,TR/ST/30-3	750	75		
UM/TC,TR/ST/34-3	850	75		
UM/TC,TR/ST/36-3	900	75		
UM/TC,TR/ST/40-3	1000	75		
UM/TC,TR/ST/4-4	100	100		
UM/TC,TR/ST/6-4	150	100		
UM/TC,TR/ST/8-4	200	100		
UM/TC,TR/ST/10-4	250	100		
UM/TC,TR/ST/12-4	300	100		
UM/TC,TR/ST/14-4	350	100		
UM/TC,TR/ST/16-4	400	100		
UM/TC,TR/ST/18-4	450	100		
UM/TC,TR/ST/20-4	500	100		
UM/TC,TR/ST/24-4	600	100		
UM/TC,TR/ST/28-4	700	100		
UM/TC,TR/ST/30-4	750	100		
UM/TC,TR/ST/34-4	850	100		
UM/TC,TR/ST/36-4	900	100		
UM/TC,TR/ST/40-4	1000	100		

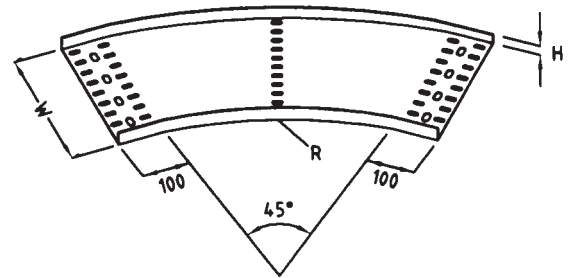
Dimension in Millimetre
Abbreviation. W - Width H - Height L - Length

Steel Perforated Cable Tray

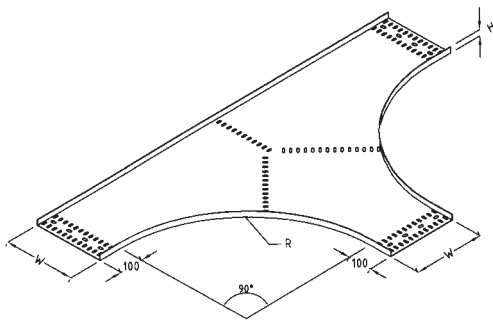
Steel Perforated Cable Tray - Accessories Round Type UM/TU/ACCR



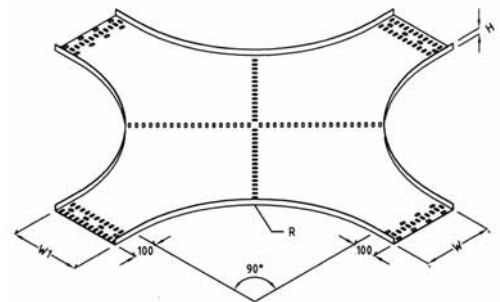
90° Elbow
UM/TU/ACCR/EL90



45° Elbow
UM/TU/ACCR/EL45



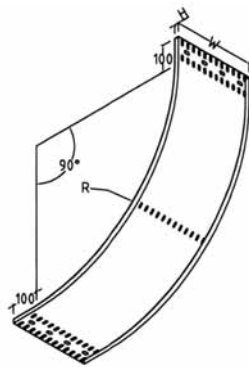
Horizontal Equal Tee
UM/TU/ACCR/ET



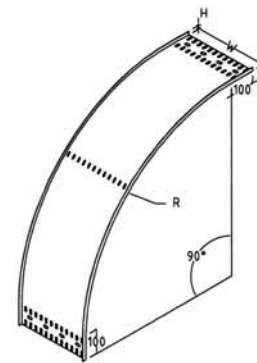
Horizontal Equal Cross
UM/TU/ACCR/EC

Steel Perforated Cable Tray

Straight Reducer, Right and left offset

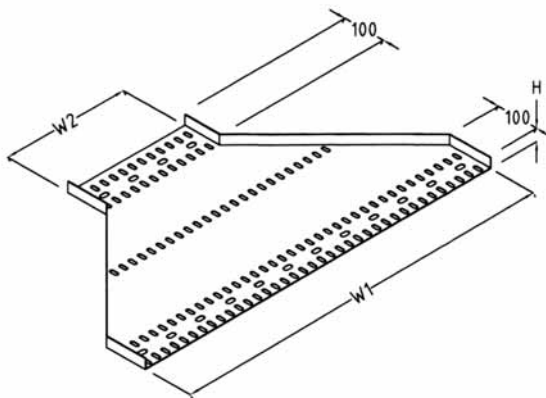


Internal Riser
UM/TU/ACCR/IR

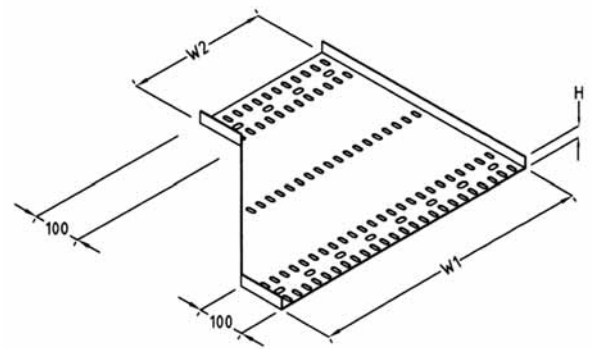


External Riser
UM/TU/ACCR/ER

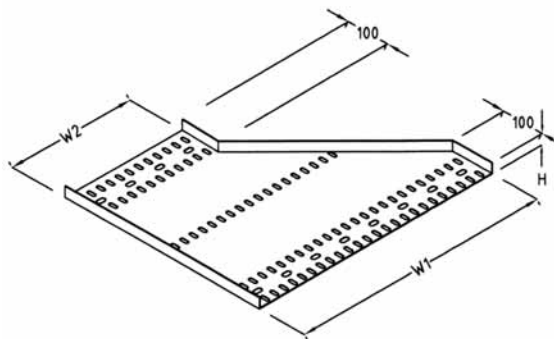
Steel Perforated Cable Tray - Accessories Angular Type
UM/TU/ACCA



Straight Offset Reducer
UM/TU/ACCA/SR



Right Offset Reducer
UM/TU/ACCA/RR

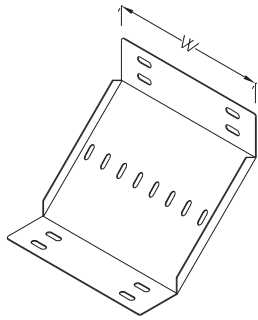


Left Offset Reducer
UM/TU/ACCA/LR

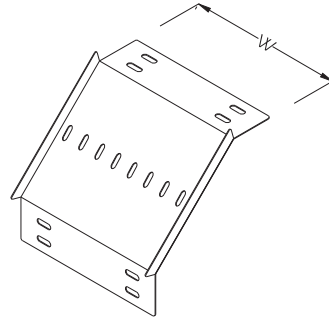
Dimension in Millimetre

Steel Perforated Cable Tray

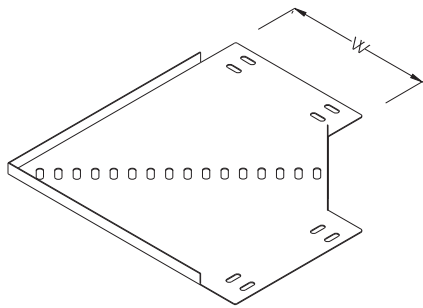
Steel Perforated Cable Tray - Accessories Angular Type UM/TU/ACCA



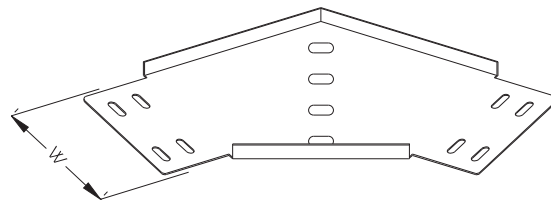
Internal Riser
UM/TU/ACCA/IR



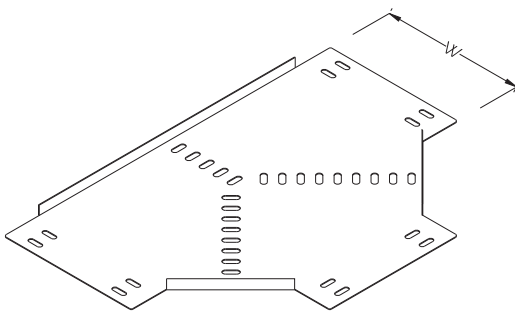
External Riser
UM/TU/ACCA/ER



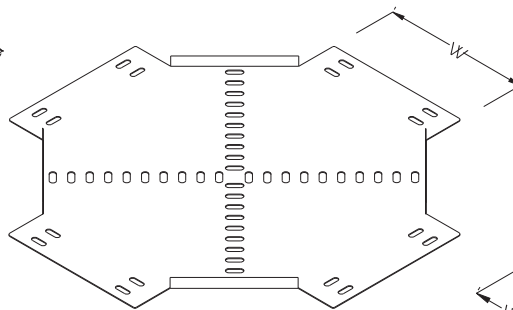
90°-Bend
UM/TU/ACCA/BN



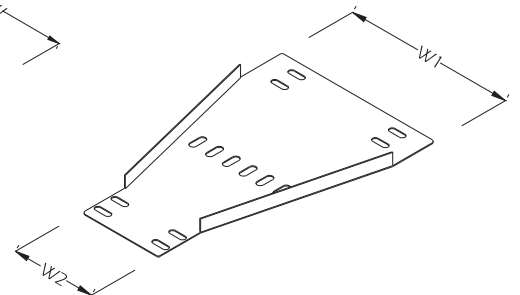
45°-Elbow
UM/TU/ACCA/EL



Equal-Tee
UL/TU/ACCA/ET



Equal-Cross
UL/TU/ACCA/EC

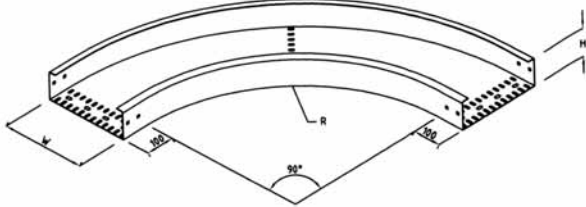


Straight-Reducer
UL/TU/ACCA/SR

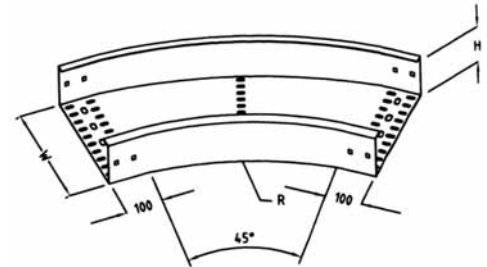
Dimension in Millimetre

Steel Perforated Cable Tray

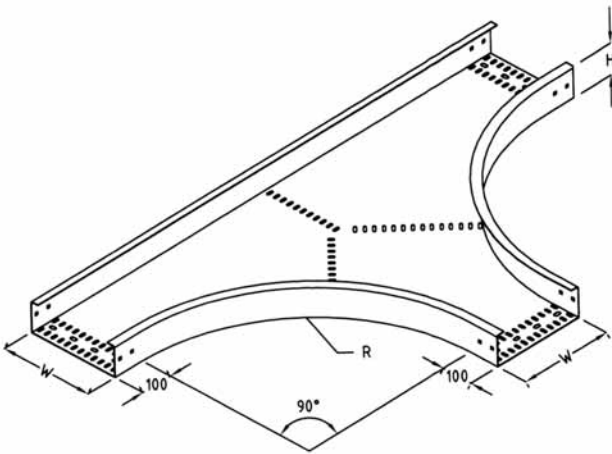
Steel Perforated Cable Tray - Accessories Round Type UM/TC,TR/ACCR



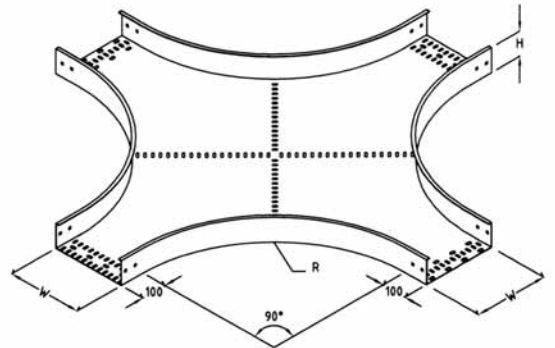
90° Elbow
UM/TC,TR/ACCR/EL90



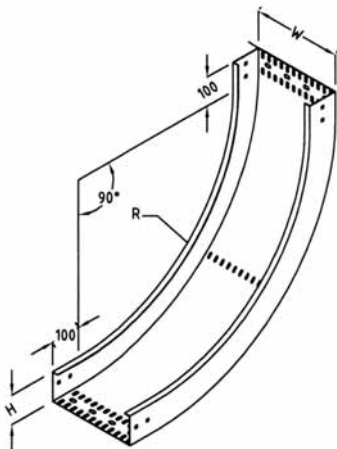
45° Elbow
UM/TC,TR/ACCR/EL45



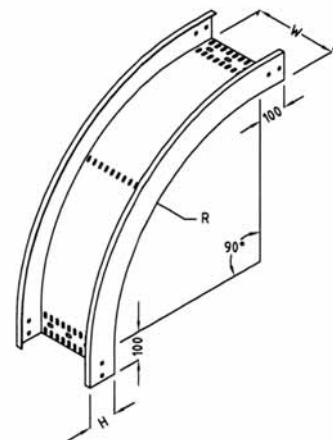
Horizontal Equal Tee
UM/TC,TR/ACCR/ET



Horizontal Equal Cross
UM/TC,TR/ACCR/EC



Internal Riser
UM/TC,TR/ACCR/IR

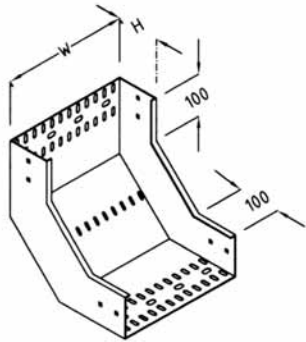


External Riser
UM/TC,TR/ACCR/ER

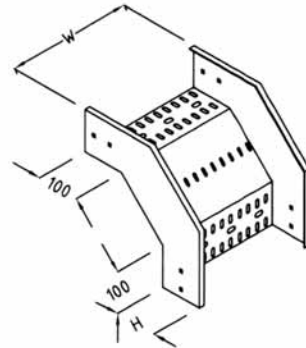
Dimension in Millimetre

Steel Perforated Cable Tray

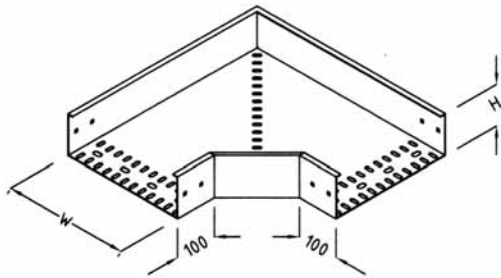
Steel Perforated Cable Tray - Accessories Angular Type UM/TC,TR/ACCA



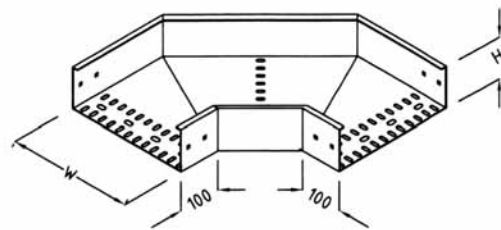
(Internal Riser)
UM/TC,TR/ACCA/IR



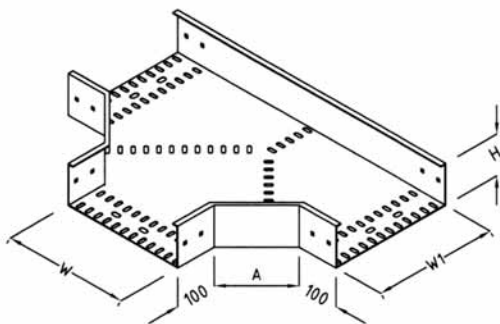
(External Riser)
UM/TC,TR/ACCA/ER



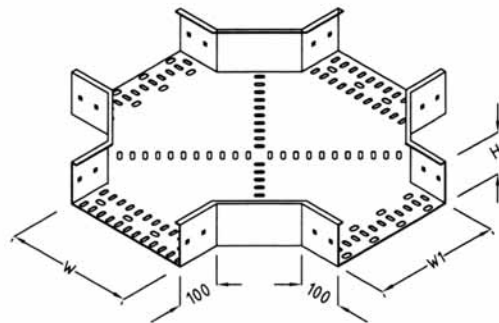
(90°Bend)
UM/TC,TR/ACCA/BN



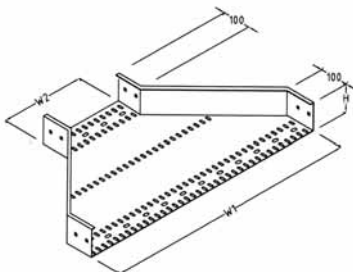
(45°Elbow)
UM/TC,TR/ACCA/EL



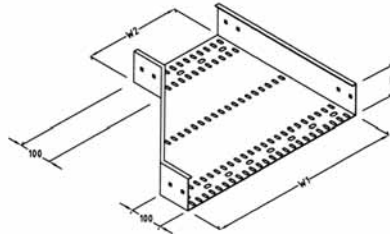
(Horizontal Equal Tee)
UM/TC,TR/ACCA/ET



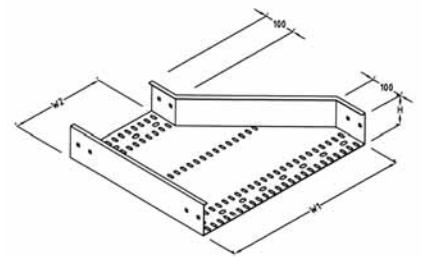
(Horizontal Equal Cross)
UM/TC,TR/ACCA/EC



Straight Offset Reducer
UM/TR/ACCA/SR



Right Offset Reducer
UM/TR/ACCA/RR



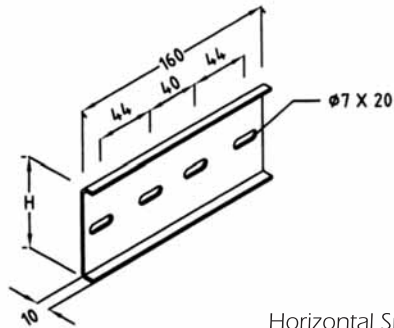
Left Offset Reducer
UM/TR/ACCA/LR

Dimension in Millimetre

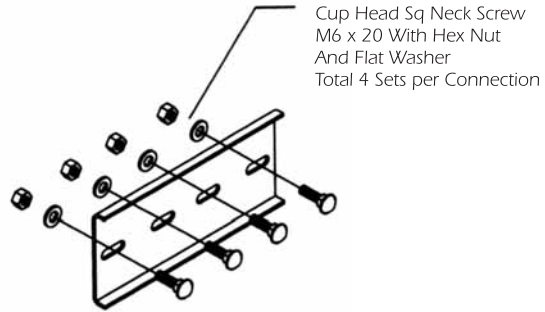
Steel Perforated Cable Tray

Steel Perforated Cable Tray - Accessories

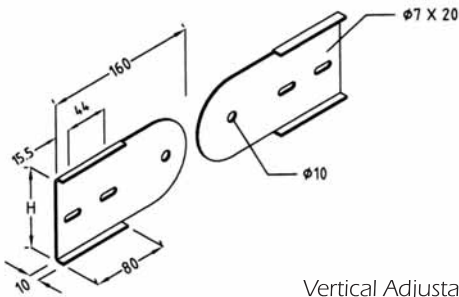
UM/TU,TC,TR/ACC



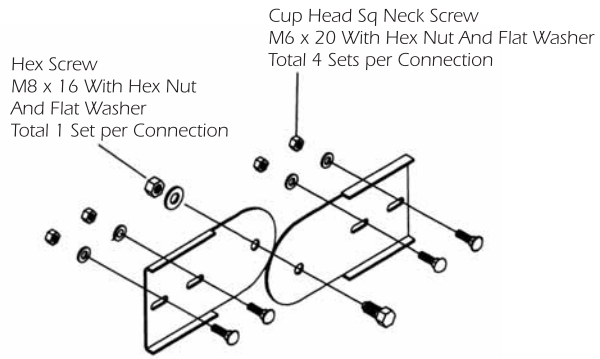
Horizontal Splice Plate
UM/TU,TC,TR/ACC/HS



Cup Head Sq Neck Screw
M6 x 20 With Hex Nut
And Flat Washer
Total 4 Sets per Connection

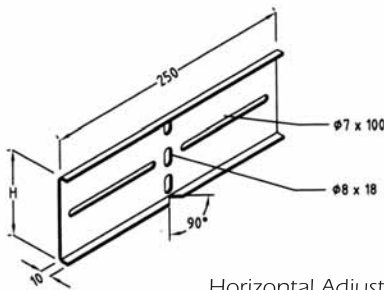


Vertical Adjustable Splice Plate
UM/TU,TC,TR/ACC/US

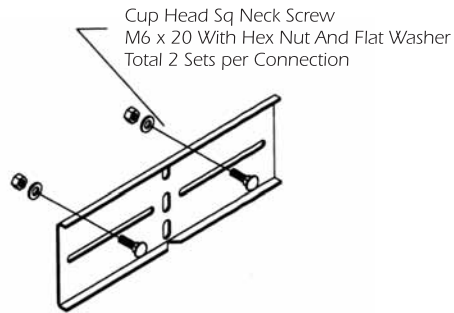


Hex Screw
M8 x 16 With Hex Nut
And Flat Washer
Total 1 Set per Connection

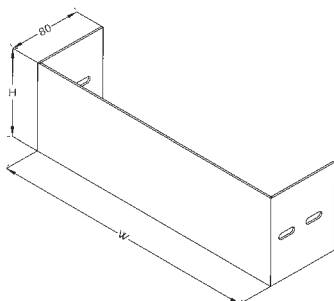
Cup Head Sq Neck Screw
M6 x 20 With Hex Nut And Flat Washer
Total 4 Sets per Connection



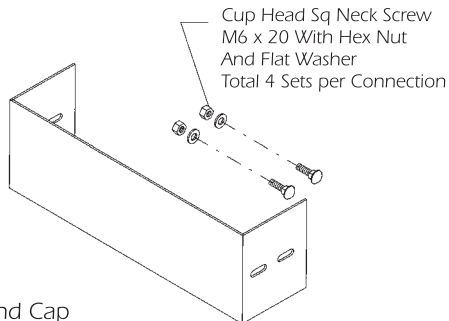
Horizontal Adjustable Splice Plate
UM/TU,TC,TR/ACC/HP



Cup Head Sq Neck Screw
M6 x 20 With Hex Nut And Flat Washer
Total 2 Sets per Connection



End Cap
UM/TU,TC,TR/ACC/EP



Cup Head Sq Neck Screw
M6 x 20 With Hex Nut
And Flat Washer
Total 4 Sets per Connection